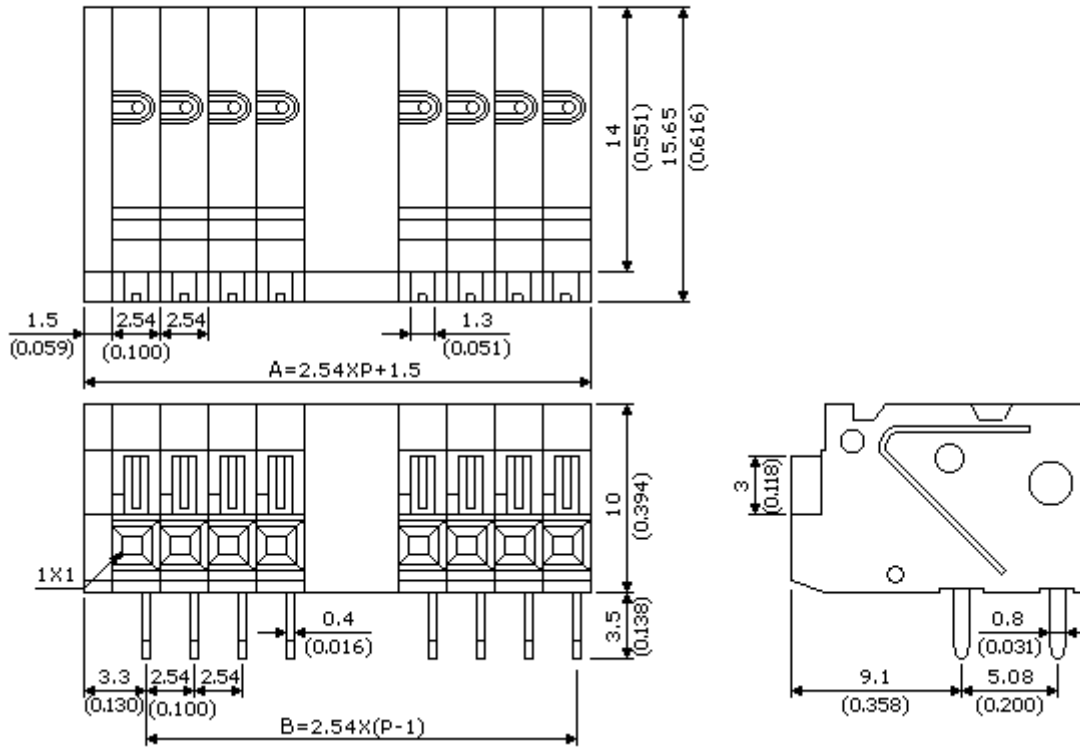
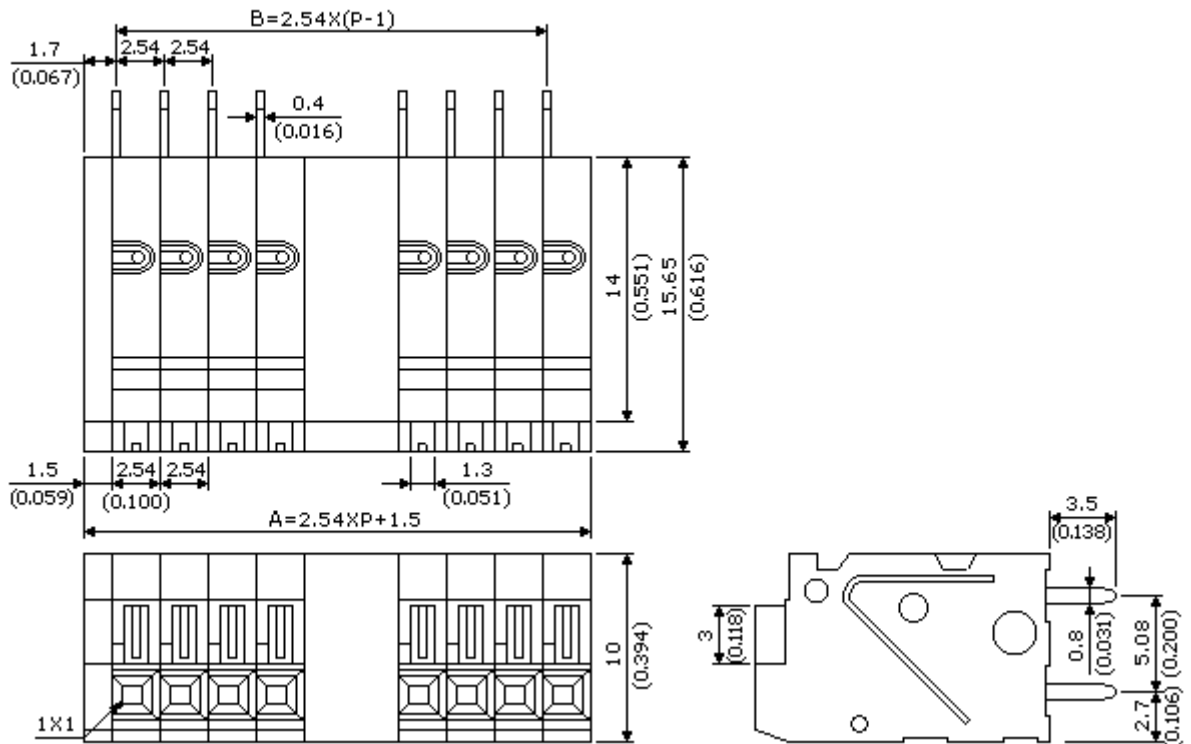


DRAWING

DIMENSIONS UNIT:mm(inch)
ETB63 SERIES



DIMENSIONS UNIT:mm(inch)
ETB64 SERIES



Pitch=2.54mm(0.1inch)

**NUMBER OF POLE 02~20.

POLE	2	3	4	5	6	7	8	9	10	
A±1.0	6.58 (0.259)	9.12 (0.359)	11.66 (0.459)	14.20 (0.559)	16.74 (0.659)	19.28 (0.759)	21.82 (0.859)	24.36 (0.959)	26.90 (1.059)	
B±1.0	2.58 (0.102)	5.08 (0.200)	7.62 (0.300)	10.16 (0.400)	12.70 (0.500)	15.24 (0.600)	17.78 (0.700)	20.32 (0.800)	22.86 (0.900)	
POLE	11	12	13	14	15	16	17	18	19	20
A±1.5	29.44 (1.159)	31.98 (1.259)	34.52 (1.359)	37.06 (1.459)	39.60 (1.559)	42.14 (1.659)	44.68 (1.759)	47.22 (1.859)	49.76 (1.959)	52.30 (2.059)
B±1.5	25.40 (1.000)	27.94 (1.100)	30.48 (1.200)	33.02 (1.300)	35.56 (1.400)	38.10 (1.500)	40.64 (1.600)	43.18 (1.700)	45.72 (1.800)	48.26 (1.900)